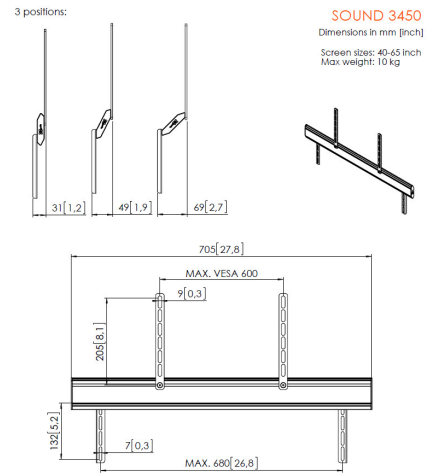


SOUND 3450 UNIVERSAL SOUND BAR MOUNT

SOUND 3450 Universal sound bar mount

Guarantee

Life time



SOUND 3450 UNIVERSAL SOUND BAR MOUNT

The perfect way to improve your viewing and listening experience with your flat screen TV by adding Vogel's Sound bar mount SOUND 3450.

Easy mounting of sound bar to TV in combination with TV wall mount. Height and depth adjustable. Sound always turns with the TV.

Features

- Easy mounting
- Universal

Logistic information

EAN Code Product	8712285326684
Net weight (kg)	1.2
Single Box Width (mm)	107
Single Box Length (mm)	821
Single Box Height (mm)	45

