

LED/LCD/Plasma Floor stand MOTION EFF 8230 BLACK

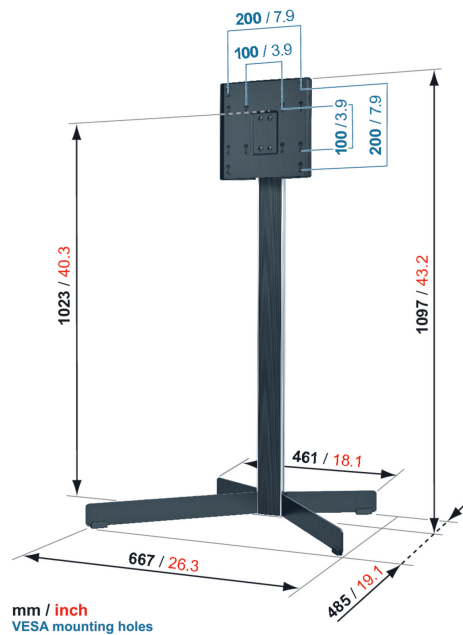
- Screen size (Min. - Max.): 26 – 37 " / 66 – 94 cm
- Max. weight: 30 kg / 66 lbs
- Tilt: 0 °
- Turn: 60 °
- Height: 1097 mm
- VESA mounting holes: 100x100mm up to 100x100mm, 200x200mm up to 200x200mm,
- Guarantee: Lifelong
- Available colours: Black

This floor stand is suitable for flatscreen televisions with a diagonal screen size of 26 to 37 inches (66 to 94 cm) and a maximum weight of 30 kg. The stand allows you to turn the screen 30 degrees to the left or right, so you can adjust it to the optimal viewing position.





LED/LCD/Plasma Floor stand EFF 8230 BLACK



This floor stand is suitable for flatscreen televisions with a diagonal screen size of 26 to 37 inches (66 to 94 cm) and a maximum weight of 30 kg. The stand allows you to turn the screen 30 degrees to the left or right, so you can adjust it to the optimal viewing position.

By combining this floor stand with Vogel's AV Multi support EFA 8825, which allows you to install a DVD player or game console, you can create a total solution for your audiovisual equipment.

The integrated CIS system ensures that the cables are neatly concealed for perfect presentation.

Personalise your floor stand! Go to www.vogels.com/mypersonalfloorstand and design your own strip.

Features

- Turn function guarantees optimal viewing position
- Personal colours
- Motion - 60° turning range.
- Cable Inlay System (CIS®) - all cables out of sight.

Logistic information

- Packaging size: 313x1161x110 mm
- Max. weight: 9 kg / 19 lbs
- EAN Code: 8712285317866